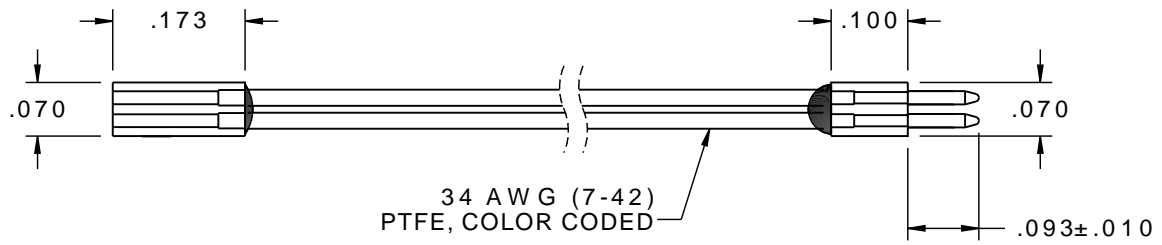
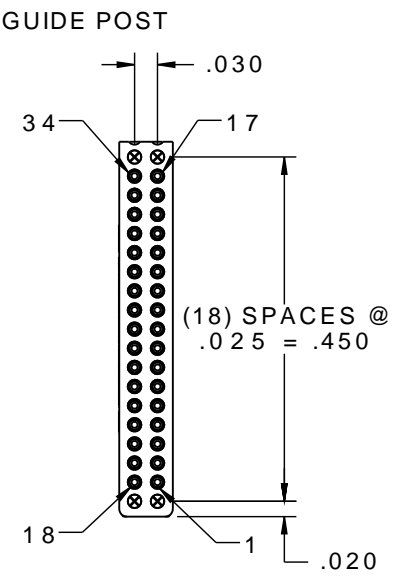
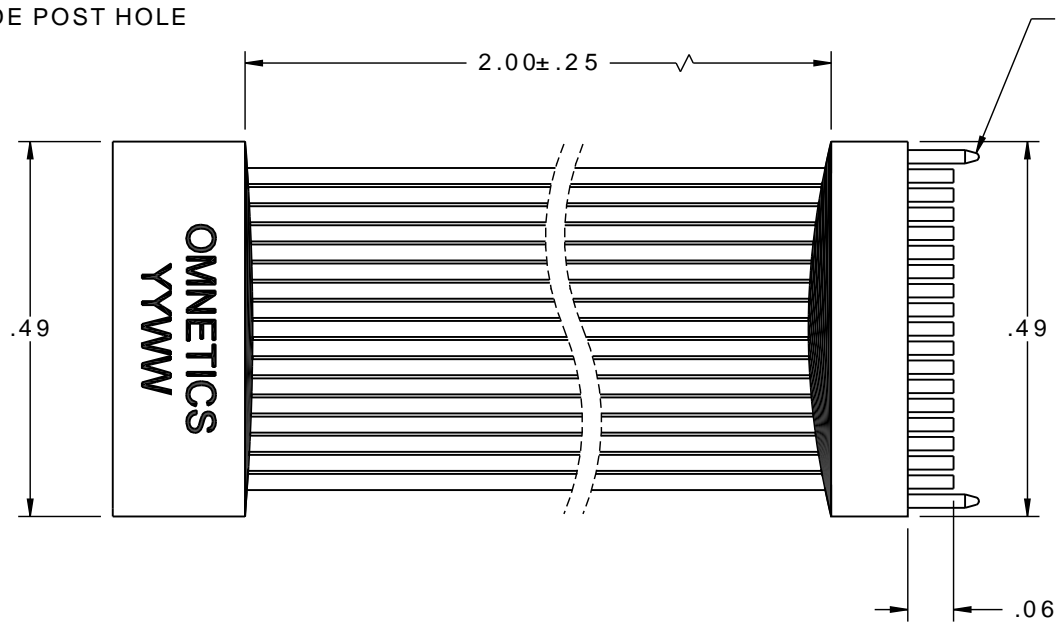
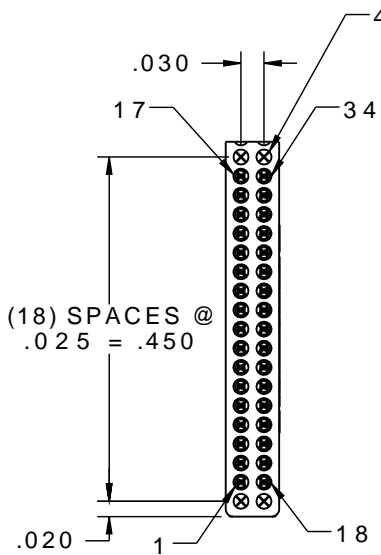


PART NO.	A 74799-001	REV	ECO	DATE	APP
		2		07-16-14	



P1

P2



POSITION #	COLOR
1, 11, 21, 31	BLACK
2, 12, 22, 32	BROWN
3, 13, 23, 33	RED
4, 14, 24, 34	ORANGE
5, 15, 25	YELLOW
6, 16, 26	GREEN
7, 17, 27	BLUE
8, 18, 28	VIOLET
9, 19, 29	GRAY
10, 20, 30	WHITE

NOTE:
WIRE CONNECTOR 1 TO 1,
2 TO 2, 3 TO 3, ETC.

Drawing Approval

Date

REF: GRAYMATTER RESEARCH

JUM SLDW	THIRD ANGLE	THIS DRAWING CONTAINS CONFIDENTIAL AND PROPRIETARY INFORMATION WHICH IS THE PROPERTY OF OMNETICS CONNECTOR CORPORATION. THIS DOCUMENT MAY NOT, IN WHOLE OR IN PART, BE DUPLICATED, OR DISCLOSED FOR ANY PURPOSE, WITHOUT WRITTEN PERMISSION FROM OMNETICS CONNECTOR CORP.		OMNETICS CONNECTOR CORPORATION 7260 COMMERCE CIRCLE EAST MINNEAPOLIS, MN 55432 WWW.OMNETICS.COM	CAGE CODE 61873		
	-TOLERANCES- UNLESS OTHERWISE NOTED	DFTM. TLM	DATE 07-14-14		TITLE: (34) LINE MALE/FEMALE NANO DUAL ROW JUMPER W/GUIDE POST & GP HOLES	DWG NO. A74799-001	
	DIMENSIONS IN INCHES	CHK'D.	DATE		APP'D.	SHEET 1 OF 1	REV 2
	2 PL DEC ± .01 3 PL DEC ± .005 4 PL DEC ± .0005 ANGLES ± 1°	DATE	DATE		SCALE: 4:1		