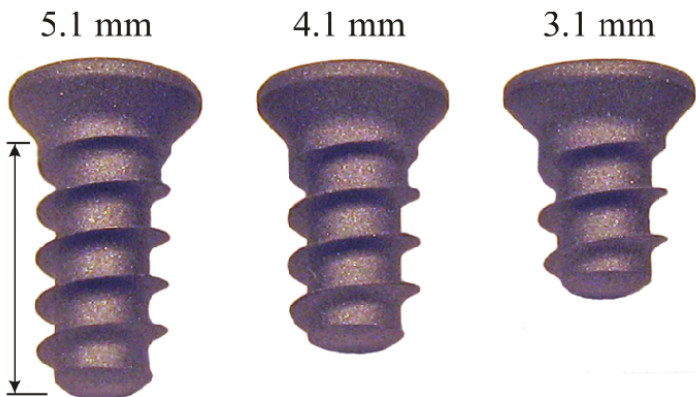
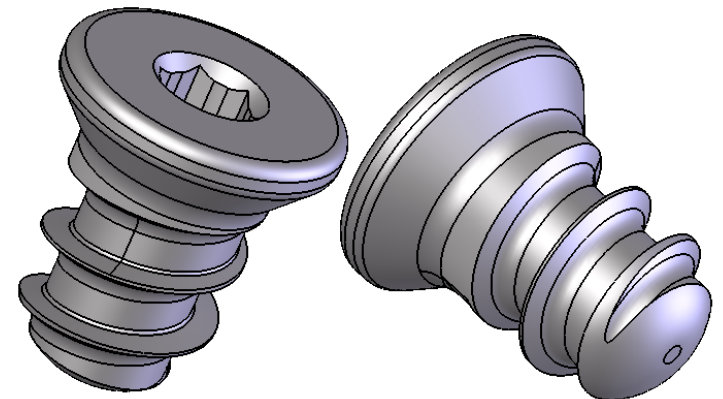


**Titanium Bone Screw.**  
 Units in millimeters.  
 2.7mm thread diameter.  
 1.9mm core diameter.  
 1mm thread pitch.  
 Three thread lengths available:  
     3.1 mm  
     4.1 mm  
     5.1 mm  
 Bone screw thread.  
 Standard 82 degree countersink.  
 Standard 1.27mm/.050" sockethead.  
 Rounded Tip.  
 Micro-blasted rough surface finish.



<b>GrayMatter Research</b>	
TITLE: <b>TiBoneScrew</b>	
Material <b>Titanium 6Al-4V</b>	REV