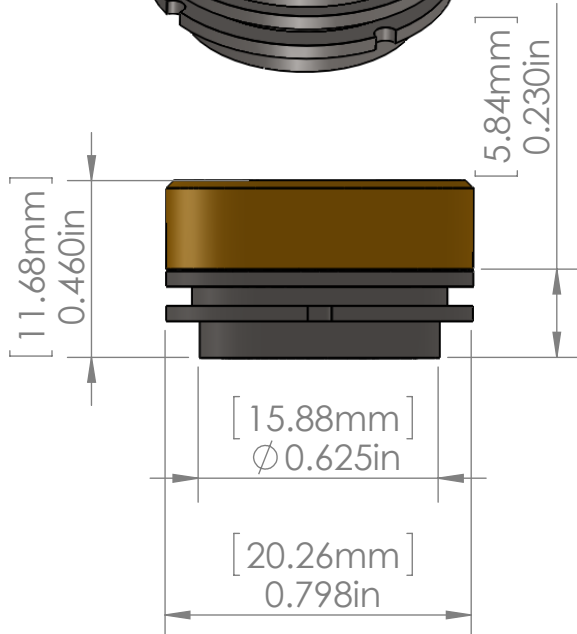
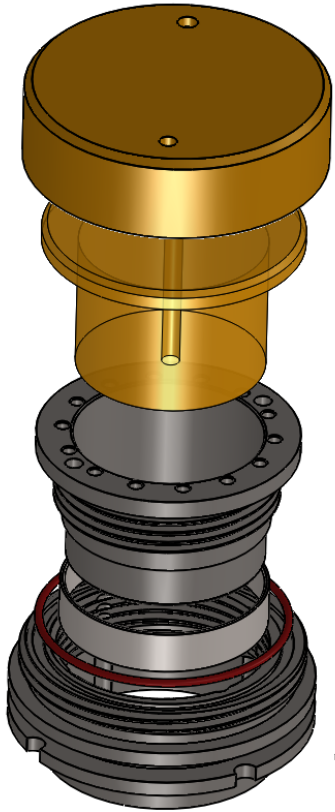
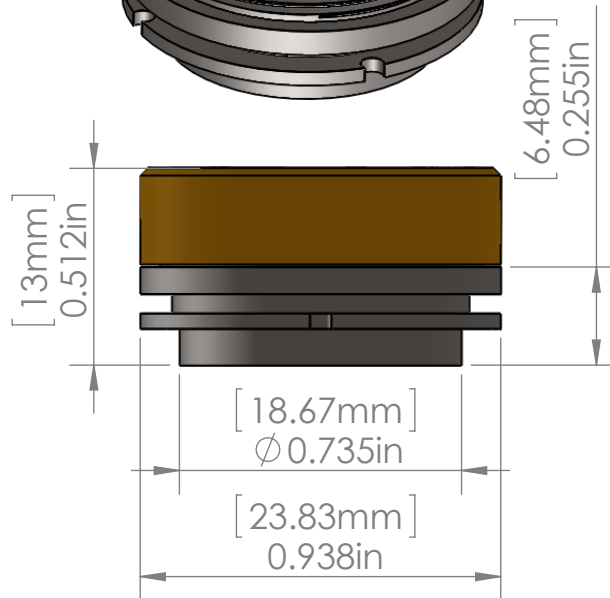
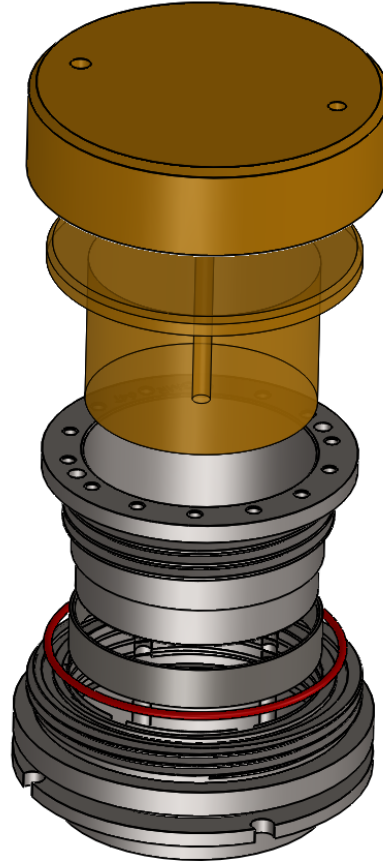


SC 32



SC 64



GrayMatter Research

## Tangential Chambers

DIMENSIONS IN [MILLIMETERS] AND INCHES