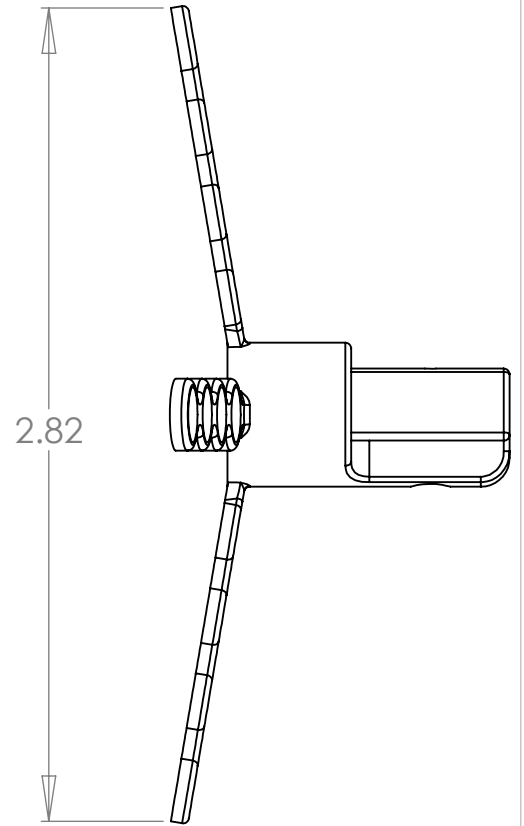
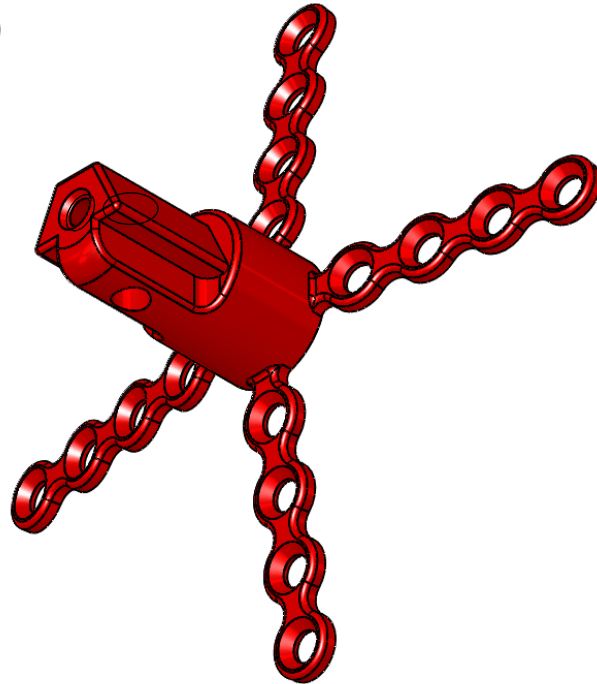


6-32 tapped hole

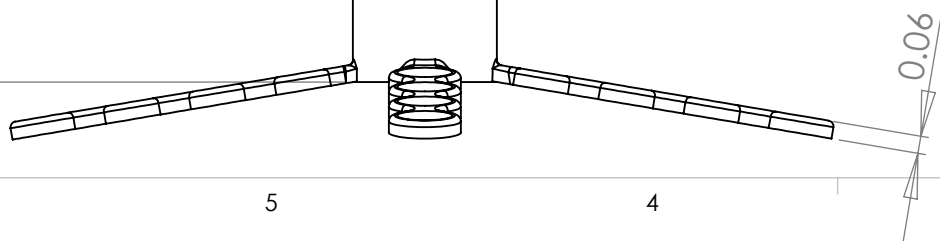


2.82

$\varnothing 0.50$

10-24 tapped thru

0.98



0.06

GrayMatter Research	
TITLE:	SHP-1
MATERIAL	Titanium 6Al-4V
Dimensions are in inches	

5

4

3

2

1