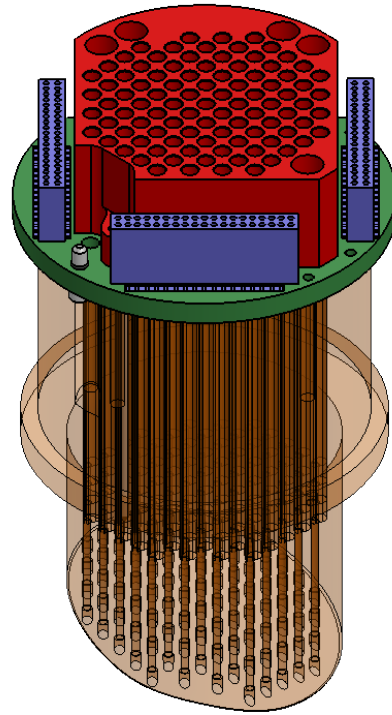
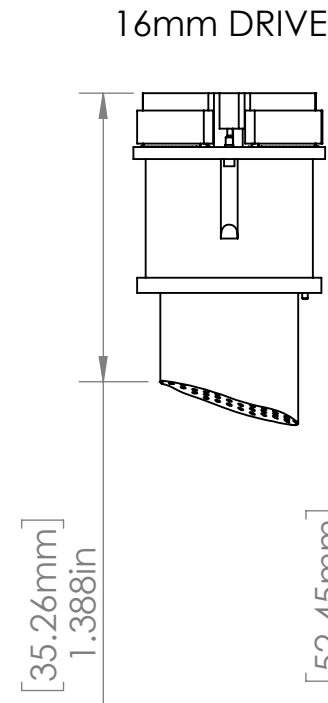


[25.40mm]  
Ø 1.000in

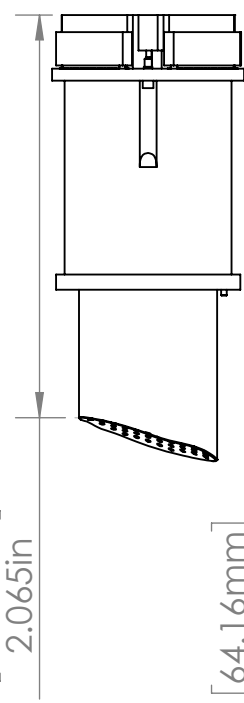


[35.26mm]  
1.388in



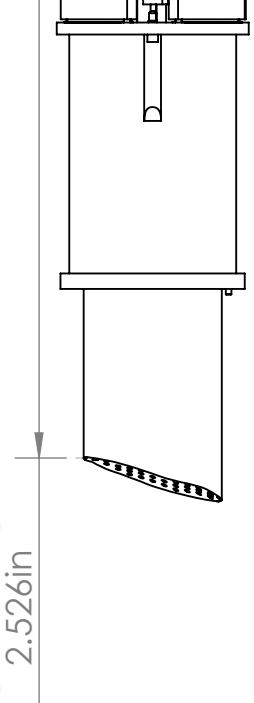
16mm DRIVE

[52.45mm]  
2.065in



32mm DRIVE

[64.16mm]  
2.526in

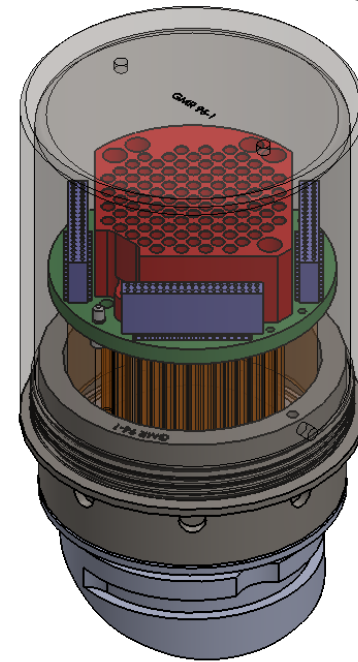
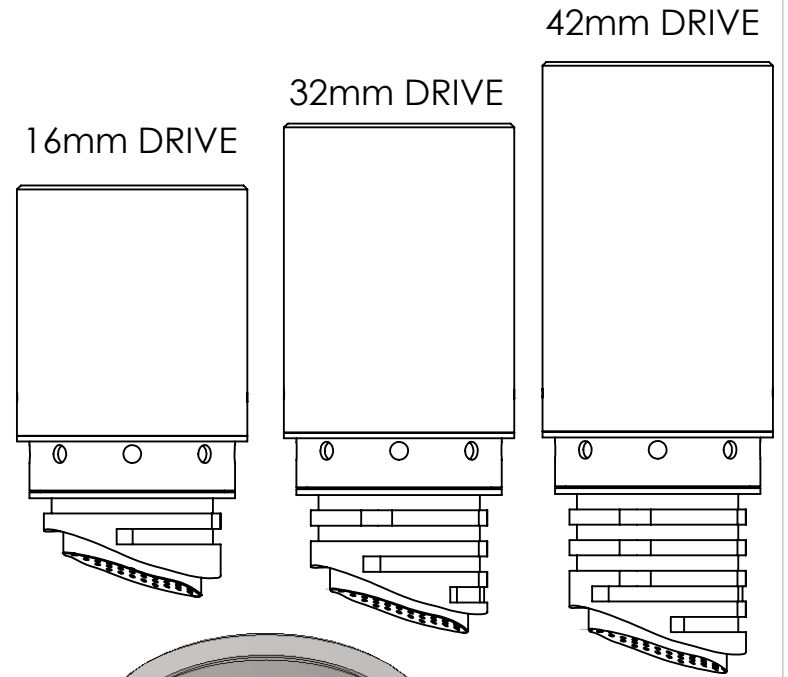
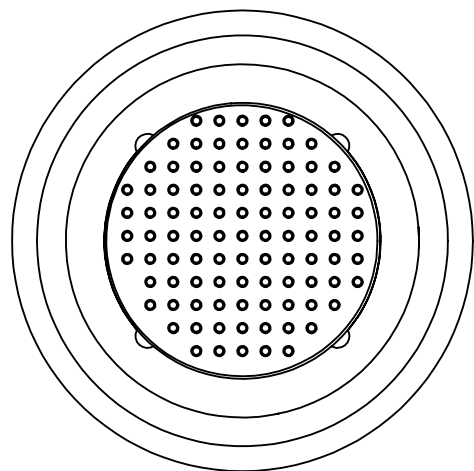
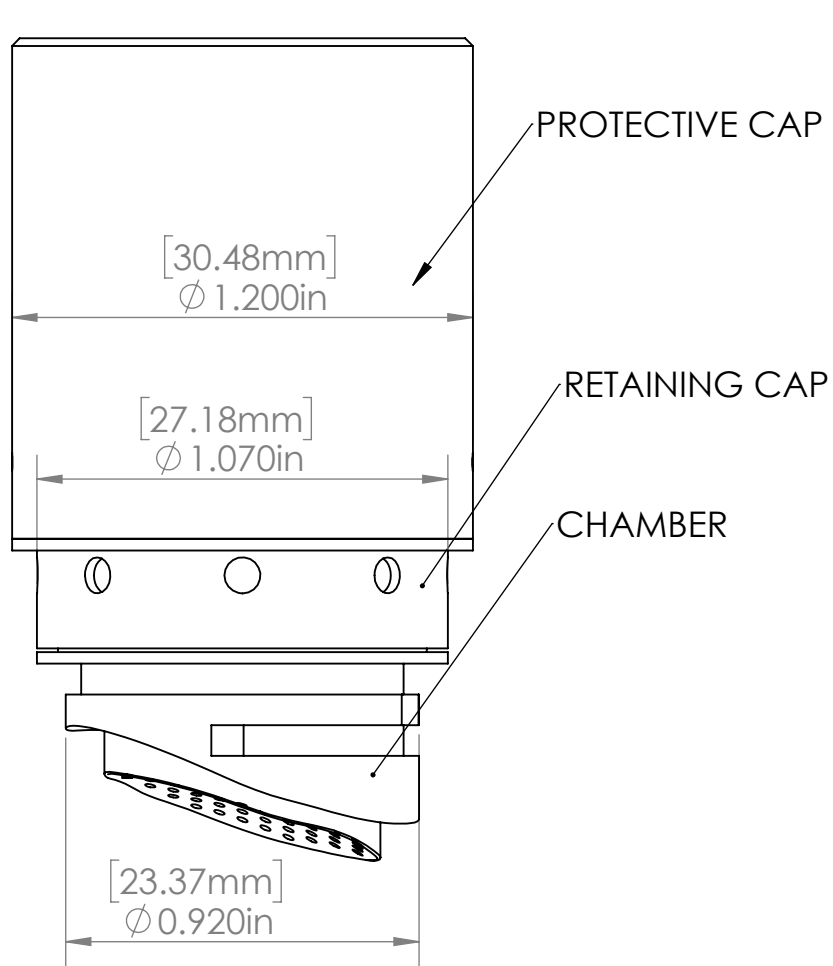


42mm DRIVE

ADDITIONAL MATERIAL LENGTH ON THE BOTTOM SURFACE TO ACCOMODATE FORM-FIT

96 INDEPENDENTLY MOVABLE ELECTRODES.  
DRIVE NAME DENOTES TRAVEL CAPABILITY.  
1.5MM INTERELECTRODE SPACING.  
MATES WITH A FORM-FITTING CHAMBER AND INSERT.

DIMENSIONS ARE IN [MM] AND INCHES	<b>GrayMatter Research</b>
MATERIAL Actuator Block	TITLE: <b>SC96-MICRODRIVE</b>



DIMENSIONS ARE IN [MM] AND INCHES	<b>GrayMatter Research</b>
MATERIAL Chamber-Ultem or Titanium	TITLE: <b>SC96-ASSEMBLY</b>

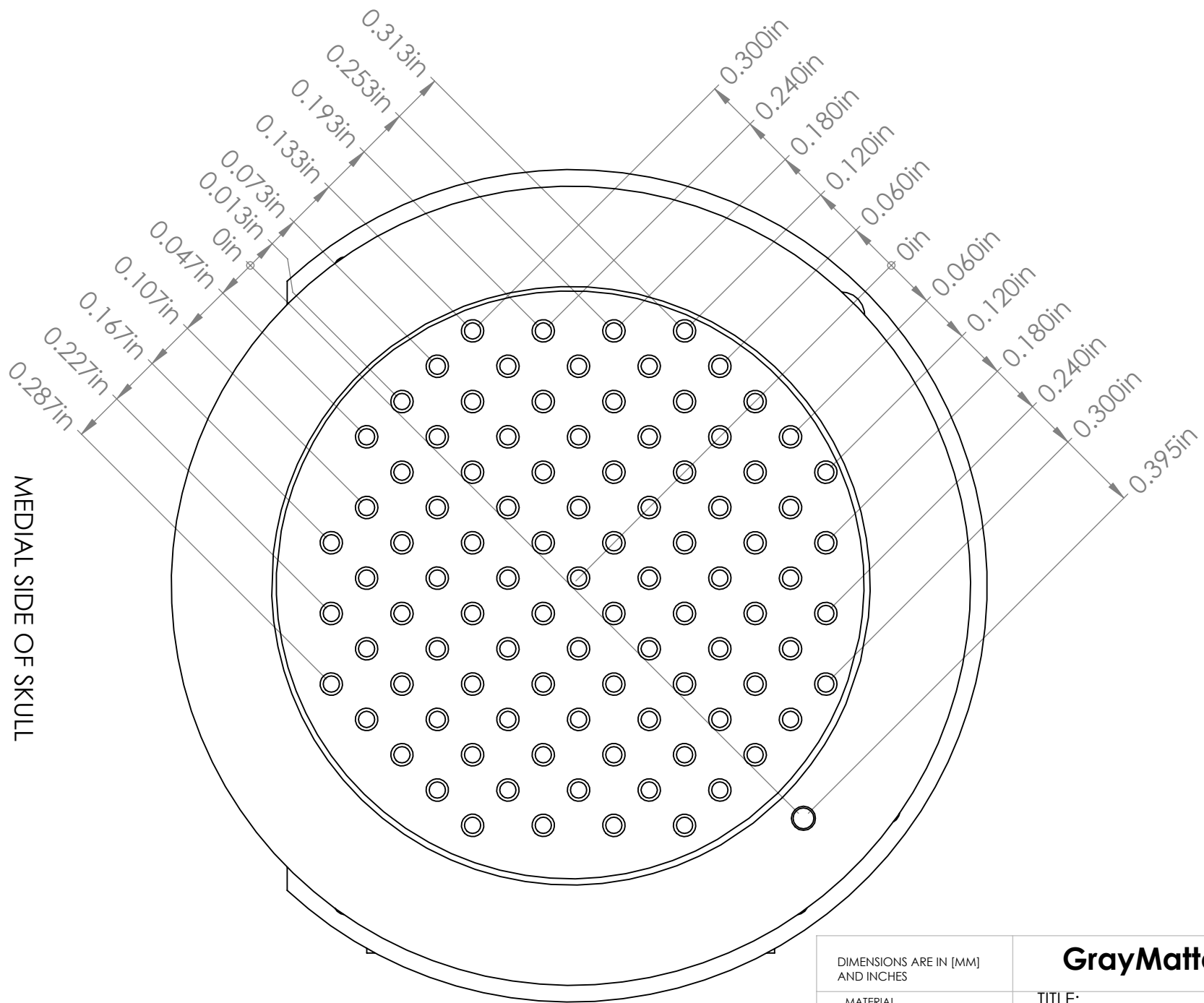
5

4

3

2

1



MEDIAL SIDE OF SKULL

LATERAL SIDE OF SKULL

DIMENSIONS ARE IN [MM]  
AND INCHES

MATERIAL  
Actuator Block

**GrayMatter Research**

TITLE:  
**SC96-MICRODRIVE**

5

4

3

2

1