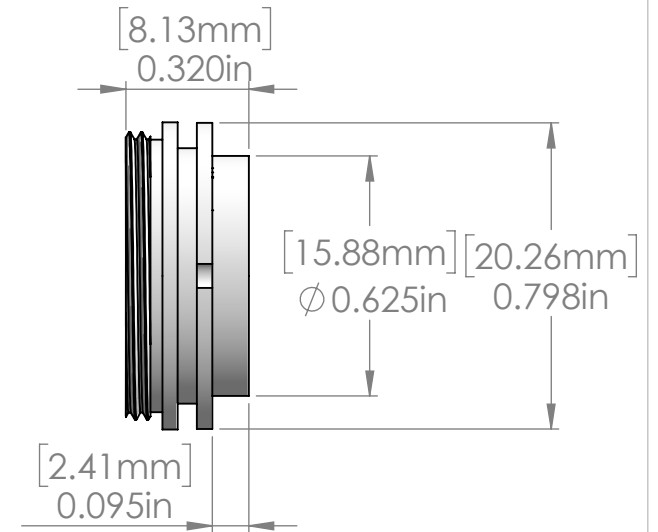
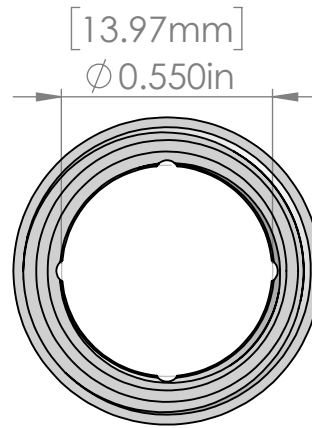
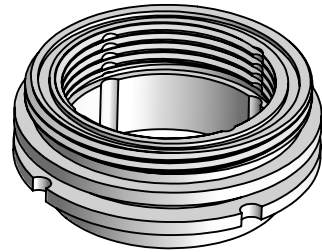
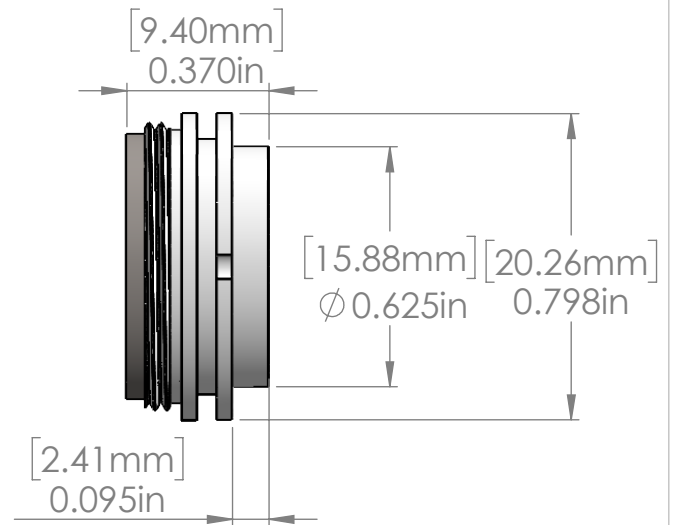
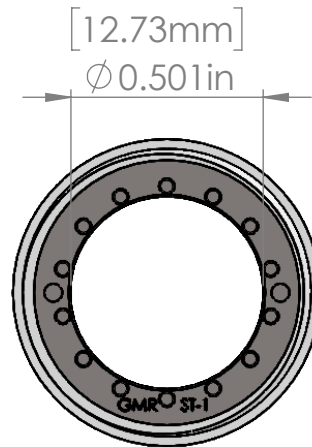
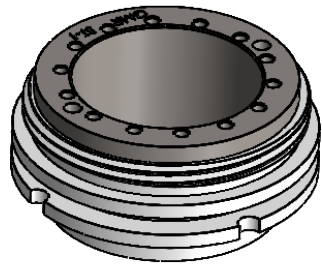


**Chamber
Only**



**Chamber
+
Insert**



DIMENSIONS ARE IN INCHES
TOLERANCES:
FRACTIONAL ±
ANGULAR: MACH ± BEND ±
TWO PLACE DECIMAL ±.003
THREE PLACE DECIMAL ±.001

MATERIAL
Titanium

FINISH

DATE
1/13/2021

Gray Matter Research

TITLE:
Tangential SC32 Chamber
Dimensional drawing

SIZE A	DWG. NO.	REV 0
------------------	----------	-----------------

SCALE: 2:1	SHEET 1 OF 1
------------	--------------